

Large Diameter Electrofusion Branch Saddles





SIDEWALL MADE SIMPLE.

Fast and efficient full
pressure connections.

Call us for availability of
other sizes and dimensions.
Visit gfcpc.com to view
product details in
our catalog.

Our large diameter Electrofusion Branch Saddle is an innovative and cost-saving solution that significantly reduces connection time for main line pipes.

Available in main sizes up to 48", the fittings are fully rated SDR11 with outlet sizes available up to 8" DIPS.

Large diameter electrofusion branch saddles significantly reduce installation costs and time by eliminating the need for fabricated reducing tees and couplings.

As an added benefit, these fittings can be installed anywhere on the live system without disrupting service.

Our large diameter Electrofusion Branch Saddle is only one of many innovations in quality fittings for electrofusion sidewall applications. Georg Fischer Central Plastics carries a full line of fittings, manufactured in the United States, to worldwide standards.

We manufacture quality fittings for every connection you need for seamless and leak-free piping systems – systems with unparalleled integrity.

SIZES

4" IPS through 12" IPS
(Main Size) x 4" IPS (Outlet Size)

8" IPS through 48" IPS
(Main Size) x 6" IPS (Outlet Size)

10" IPS through 48" IPS
(Main Size) x 8" IPS (Outlet Size)

8" DIPS through 48" DIPS
(Main Size) x 6" DIPS (Outlet Size)

10" DIPS through 48" DIPS
(Main Size) X 8" DIPS (Outlet Size)

SPECIFICATIONS

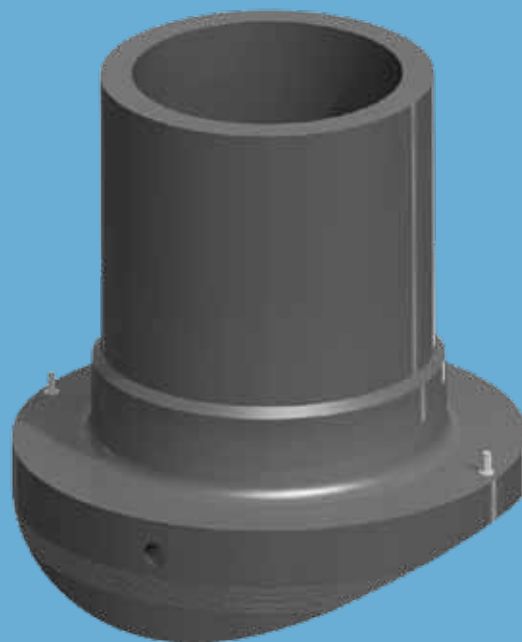
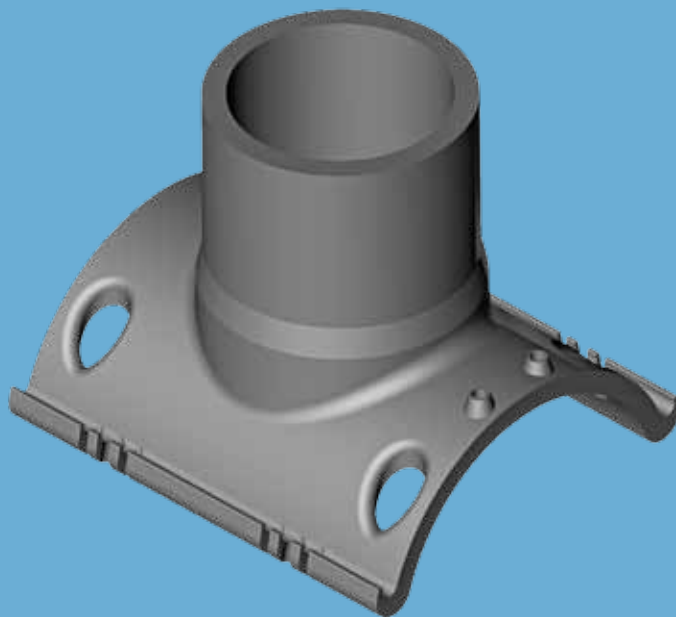
PE Resin:

PE3408/PE4710 high density polyethylene

Recognized by the Plastic Pipe Institute as having a PE3408 / PE4710 / PE100 rating and a Hydrostatic Design Basis of 1600 psi @ 73°F

This resin has a cell classification of 445574C in accordance with ASTM D 3350

Backed by the
leader in pipe
joining products
& solutions.



+GF+

GEORG FISCHER
PIPING SYSTEMS



GEORG FISCHER
PIPING SYSTEMS

GEORG FISCHER CENTRAL PLASTICS

Georg Fischer Central Plastics builds quality piping systems that are efficient, reliable and safe - supplying products and solutions with unparalleled integrity.

PIPING SYSTEMS, PRODUCTS & SOLUTIONS WITH INTEGRITY

Oklahoma - Head Office

39605 Independence
Shawnee, OK 74804

Texas

4949 Joseph Hardin Drive
Dallas, TX 75236

1.800.654.3872

gfcp.com

Gas | Water & Waste Water | Energy | Industrial