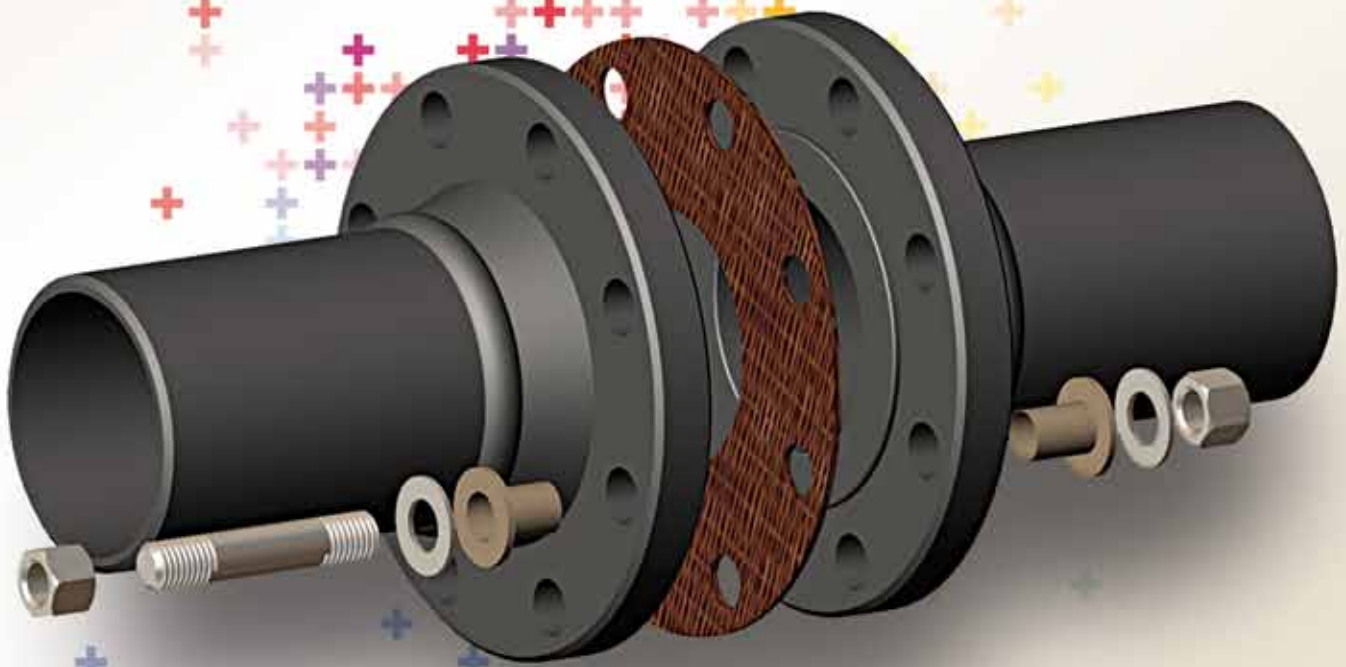


Flange Insulation Products



EXPERIENCE IS CENTRAL

From its founding in 1955 until today, Georg Fischer Central Plastics has brought innovative and durable corrosion prevention products to market. Now with more than half a century of experience in the field, our products have passed the test of time — making us your best choice for Insulated Flange Connections.

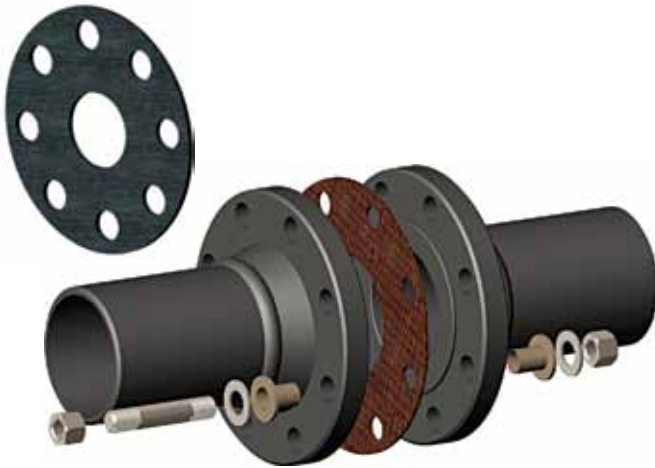
Call us for availability of other sizes and dimensions. Visit gfcp.com to view product details in our catalog.

FLANGE INSULATION

Our flange insulation gaskets and insulation kits are used throughout the world in numerous industry specific applications. These products have proven highly effective and reliable for controlling and maintaining the integrity of piping systems even under the most demanding conditions.

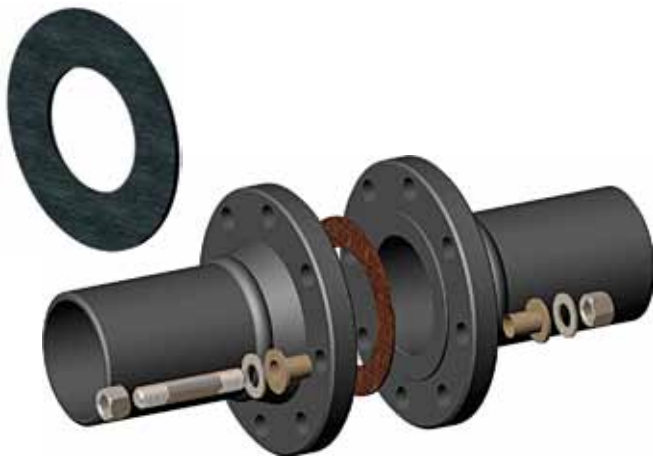
Flange insulation materials are usually sold in kits, which include gasket materials available in CE Phenolic, Nitril-faced CE Phenolic, Durlon 8500 & 9000, G7 and G10. New materials are always being incorporated. Gaskets can be made from special materials upon request, based on sufficient quantities and lead times.

**WE MEET OR EXCEED
ALL APPLICABLE
INDUSTRY STANDARDS**



TYPE E – FULL FACE GASKET

Type E gaskets center on precisely located bolt holes. Since the outside diameters are the same, foreign material is prevented from shorting out the connection.



TYPE F – RING GASKET

Type F gaskets are designed to fit tightly inside the bolt hole circle, assuring a well-centered position.

INSULATING WASHERS

Our insulating washers are available in Phenolic G3, G7 and G10.

INSULATING SLEEVES

Insulating sleeves are available in Polyethylene, Mylar, G10, Phenolic or Nomex. They are designed to be easily inserted in the bolt hole, leaving ample room for the bolt even when the bolt holes are misaligned.



TYPE D – RING TYPE JOINT (RTJ)

The RTJ is an oval phenolic gasket designed to work specifically with RTJ grooved flanges.



TYPE D – BX

The octagonal BX gasket is designed to work specifically with a BX grooved flange. BX gaskets are machined from phenolic tubing. The gas pressure is perpendicular to the grain, allowing the gasket to withstand pressures up to 15,000 PSI.



TYPE E



TYPE F

“JOCK” O-RING TYPE

The Jock sealing gasket uses a buna-nitrile or viton O-ring to seal and isolate the flanged pair. The O-ring allows near zero leakage static sealing and limits the area of seal exposed to fluid attack. The gasket can be a full face (Type E) or ring gasket (Type F) configuration. With the versatility of changing the sealing element or the retainer material, the 2” and larger Jock gaskets can be utilized in most any application.

ONE-PIECE SLEEVE AND WASHER

The Minlon molded one-piece sleeve and washer reduces the number of loose parts in the connection. One glance and an inspector can easily tell if the flange has been properly insulated.



GEORG FISCHER
PIPING SYSTEMS

GEORG FISCHER CENTRAL PLASTICS

Georg Fischer Central Plastics builds quality piping systems that are efficient, reliable and safe - supplying products and solutions with unparalleled integrity.

PIPING SYSTEMS, PRODUCTS & SOLUTIONS WITH INTEGRITY

Oklahoma - Head Office

39605 Independence
Shawnee, OK 74804

Texas

4949 Joseph Hardin Drive
Dallas, TX 75236

1.800.654.3872

gfcp.com

Gas | Water & Waste Water | Energy | Industrial