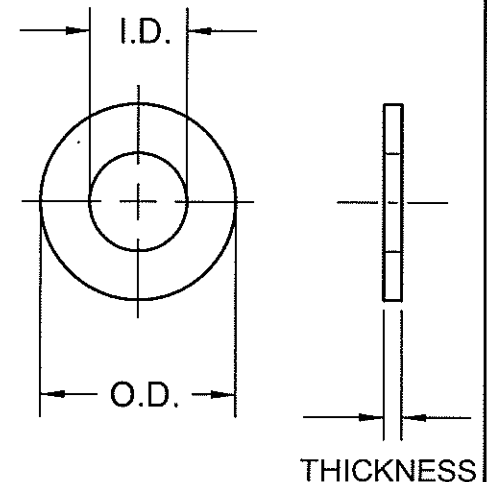


**UNCONTROLLED  
DOCUMENT**

TITLE: STEEL WASHERS FOR FLANGE INSULATION KITS	DRAWING NUMBER: <b>9000110</b>	SIZE: <b>A</b>	REV: <b>F</b>
---	-----------------------------------	-------------------	------------------

NUMBER	NOMINAL BOLT SIZE	BASIC/NOMINAL WASHER INSIDE DIAMETER	TOLERANCE		BASIC/NOMINAL OUTSIDE DIAMETER ±.030"	BASIC/NOMINAL THICKNESS
			PLUS	MINUS		
<sup>E</sup> 9000110	1/2"	<sup>F</sup> .531	.015	.005	1.062	.095 ±.026
<sup>E</sup> 9000111	5/8"	<sup>F</sup> .656	.030	.007	1.312	.095 ±.026
<sup>E</sup> 9000112	3/4"	<sup>F</sup> .812 <small>See Note #1</small>	.030	.007	1.469	.134 ±.026
<sup>E</sup> 9000113	7/8"	<sup>F</sup> .938 <small>See Note #1</small>	.030	.007	1.750	.134 ±.026
<sup>E</sup> 9000114	1"	<sup>F</sup> 1.062 <small>See Note #1</small>	.030	.007	2.000	.134 ±.026
9000115	1 1/8"	1.188	.007	.030	2.250	.134 ±.026
9000116	1 1/4"	1.312	.007	.030	2.500	.165 ±.027
9000117	1 3/8"	1.438	.007	.030	2.750	.165 ±.027
9000118	1 1/2"	1.562	.007	.030	3.000	.165 ±.027
9000119	1 5/8"	1.688	.007	.030	3.000	.165 ±.027
<sup>C</sup> 9000120	1 3/4"	1.812	<sup>C</sup> .015	<sup>C</sup> .015	3.250	.165 ±.027
9000121	1 7/8"	1.938	.007	.030	3.500	.165 ±.027
9000122	2"	2.062	.007	.030	3.750	.165 ±.027
<sup>B</sup> 9000123	2 1/4"	2.281	.030	.015	<sup>B</sup> 4.000	<sup>B</sup> .188 ±.028
9000124	2 1/2"	2.531	.030	.015	4.500	.250 ±.035
9000385	2 3/4"	2.781	.030	.015	5.000	<sup>F</sup> .250 ±.035
9000485	3"	3.031	.030	.015	5.375	<sup>D</sup> .313 +.018/-.064
9000486	3 1/4"	3.281	.030	.015	5.812	<sup>F</sup> .313 +.018/-.064
9000125	3 1/2"	3.531	.030	.015	6.250	<sup>F</sup> .313 +.018/-.064



CONFIDENTIAL  
THIS DOCUMENT CONTAINS CONFIDENTIAL AND PROPRIETARY INFORMATION OF GEORG FISCHER CENTRAL PLASTICS, LLC OF SHAWNEE, OKLAHOMA USA

			TOLERANCE UNLESS NOTED: FINISH: ~ CONCENTRICITY: +.030 / -.007 FLATNESS: ±.010 DECIMALS: .XX ~ .XXX ~		<b>+GF+ CENTRAL</b> PIPING SYSTEMS		<b>PLASTICS, LLC</b> P.O. BOX 3129 - SHAWNEE, OKLA. 74801 USA			
					TITLE: STEEL WASHERS 1/2" THRU 3 1/2" BOLT SIZES FOR FLANGE INSULATION KITS					
					MATERIAL: CARBON STEEL - HOT ROLLED - ZINC PLATING - COMMERCIAL					
F	B.Wion	18 JAN 10	REDRAWN ON SOLIDWORKS; DELETED NOTES FOR "PERMISSABLE" TYPES OF WASHERS, & ADJUSTED TOLERANCES TO INDUSTRY STANDARDS. DXP		DESIGNED BY:	DRAWN BY: B.Wion	CHECKED BY:	DRAWING NUMBER: 9000110	SIZE: A	REV: F
ECO-2555			REVISIONS		SCALE: N/A	DATE: 23 JULY 09	APPROVED BY: <i>[Signature]</i>			