



**GEORG FISCHER**  
PIPING SYSTEMS

PRODUCT BULLETIN 010610  
EF (ELECTROFUSION)  
HIGH VOLUME TAPPING TEES (HVTTs)  
3" IPS - 8" IPS  
LOWERED TORQUE CUTTERS

**Product Management**

**Georg Fischer Central Plastics LLC**

P.O. Box 3129  
39605 Independence St.  
Shawnee, OK 74801  
USA  
Phone (800) 654-3872 (Toll free)  
+1 (405) 273-6302  
gfcentral.ps@georgfischer.com  
www.centralplastics.com

Jeff Wright  
Phone +1 (405) 878-3923  
Fax +1 (405) 878-5923  
Mobile +1 (405) 878-6010  
jeff.wright@georgfischer.com

Shawnee, January 8, 2010

**Subject : Product Improvement – Lowered Torque HVTT Cutter**

Dear Customer,

In effort to keep you informed of pending changes and improvements to our products, please review the following information regarding alteration of existing items that you may purchase from GF Central Plastics, LLC.:

The nature of this improvement is a design change to the cutting blade portion of 1.8" diameter punches (also referred to as a "cutter") used as a component of electrofusion high volume tapping tees. In an effort to reduce the amount of torque required to accomplish a main tap while also capturing any shavings that are produced, the blade has been extensively re-designed.

Extensive testing has been completed on this design to include coupon retention from -10°F through 120°F on 3" SDR 17 through 8" SDR 9 pipe. Chip and shavings capturing capabilities have been verified to be equal to or better than previous designs on all pipe sizes. Numerous torque studies have also been completed on a variety of pipe types and sizes to conclude that an average of 60% reduction in torque requirement has been achieved.

This change affects all 3" through 8" IPS/DIPS Electrofusion High Volume Tapping Tees w/ 1.8" Carbon Steel Cutter in both medium and high density.

**What is not affected:**

- There are no changes to the geometry of the fitting.
- There are no changes to installation or tapping tools.
- There are no changes to installation or tapping procedures.
- There is no re-training or operator re-qualification required.

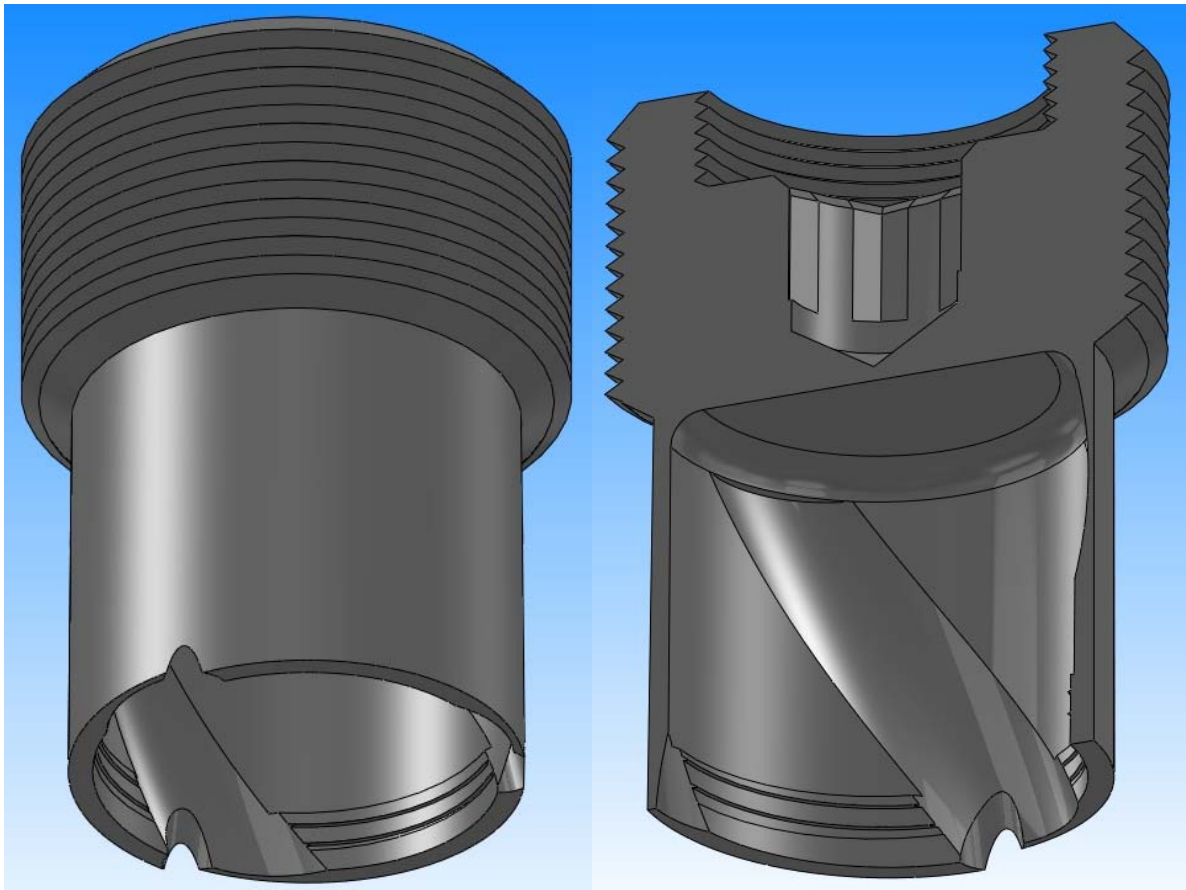
**What is affected:**

- This change requires that new part numbers will be needed to order High Volume Tapping Tees.
- The "old" cutter design will be retired and will no longer be available.

**Implementation timeline:**

- Implementation of this change is immediate on all 1.8" Cutters for 3" through 8" Main size on all EF HVTT.
- 10" and 12" Main size HVTTs using the 1.8" cutter will follow.
- Future changes will include the conventional HVTT with 1.8" cutter, a separate notification will be sent at that time.

Please refer to the following figures for more description of the pending changes:



The design incorporates engineered precision cutting surfaces and flutes to channel and direct shavings into the cutter cavity.

We are very confident that you will find this change to be beneficial and superior to other available products.

We thank you for your continued business and look forward to your feedback of our efforts to improve our products. Should you need any further information, please contact us at 1-800-654-3872.