

PROCESS DRAWING No. 557-2-01 B REV-H

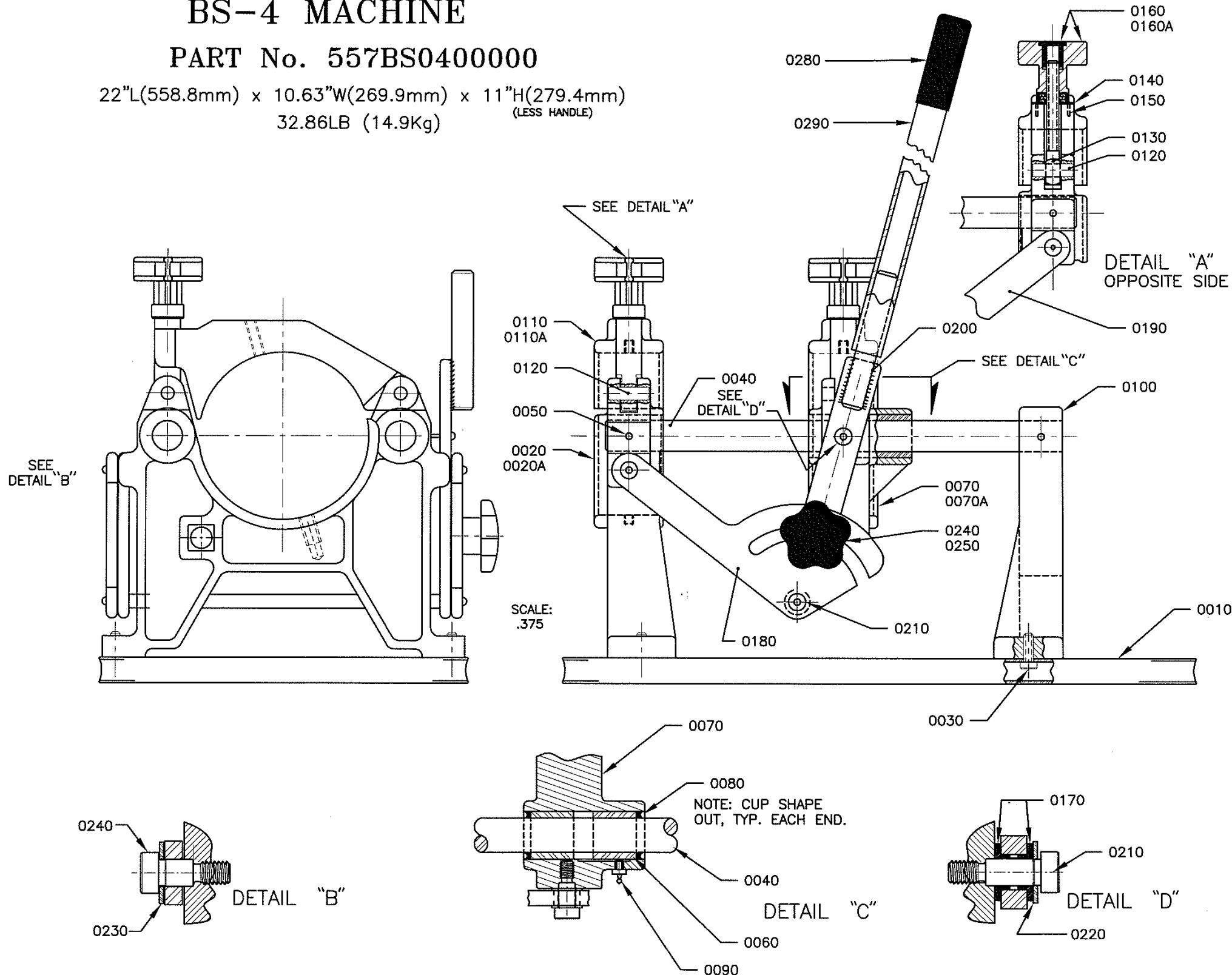
39605 Independence, Shawnee, OK, 74804 | 1.800.654.3872 | www.gfcp.com

Approved By: *MSL*

BS-4 MACHINE

PART No. 557BS0400000

22"L(558.8mm) x 10.63"W(269.9mm) x 11"H(279.4mm)
32.86LB (14.9Kg)
(LESS HANDLE)



NOTE: USE ONLY MYSTIC J-6 GREASE - 1/2 PUMP w/ GREASE GUN
DO NOT OVERPACK

SEQ NOs	COMPONENT ITEM & SUB-COM.NOs.	DESCRIPTION	UNIT OF MEASURE
0010	557BS2400015	BASE FRAME	1.000 EA.
0020	557BS4400001	FIXED PIPE CLAMP	1.000 EA.
	(A) 900HX0420060	HELICOIL 1/4-20 X 3/4" LONG	(1) EACH
0030	900SC0518050	SOCKET HEAD CAP SCREW 5/16-18 X 5/8" LONG	4.000 EA.
0040	557BS2400010	SLIDE RAIL	2.000 EA.
0050	900PN0031081	SPRING PIN 3/16" DIA. X 1 1/2" LONG	4.000 EA.
0060	557BS1400009	BEARING 7/8" DIA. X 1 1/8" LONG	4.000 EA.
0070	557BS3400003	SLIDING PIPE CLAMP	1.000 EA.
	(A) 900HX0420060	HELICOIL 1/4-20 X 3/4" LONG	(1) EACH
0080	900MM0030003	SHAFT SEAL	4.000 EA.
0090	9000271	GREASE ZERK 1/4-28 STRAIGHT	2.000 EA.
0100	557BS3400002	END FRAME	1.000 EA.
0110	557BS3400004	TOP CLAMP	2.000 EA.
	(A) 900HX0420060	HELICOIL 1/4-20 X 3/4" LONG (1) EACH PER TOP CLAMP	
0120	557BS1400005	HINGE PIN 3/8" DIA. X 1 1/4" LONG	4.000 EA.
0130	10008133	ROD END (EYE BOLT) 3/8" x 3 1/2" LG.	2.000 EA.
0140	9030028	WEAR PAD	2.000 EA.
0150	900FH0420042	FLAT HEAD SCREW 1/4-20 X 1/2" LONG	4.000 EA.
0160	5570074	TOP CLAMP KNOB ASSEMBLY	2.000 EA.
	(A) 9000268	PIPE CAP 1/4" NIAGARA EZ-4 (1) ASSY PER TOP CLAMP KNOB	
0170	900MM1040004	SHOULDER WASHER BUSHING	8.000 EA.
0180	10007780	LOCKING LINK	1.000 EA.
0190	10007781	LINK	1.000 EA.
0200	557BS3400017	CROSS LINK ASSEMBLY	1.000 EA.
0210	9990355	SHOULDER BOLT 3/8" DIA. x 5/8" LONG HEX SOCKET, 5/16-18 UNC THREADS	2.000 EA.
0220	9000255	FLAT WASHER 3/8" SAE	5.000 EA.
0230	10008366	TEFLON WASHER 3/8" I.D. x .03" THICK	2.000 EA.
0240	9990353	SHOULDER BOLT 3/8" DIA. x 3/8" LONG HEX SOCKET, 5/16-18 UNC THREADS	4.000 EA.
0250	900WA0060100	FLAT WASHER 3/8" USS	2.000 EA.
0260	555SB0210053	LINKAGE LOCKING KNOB	1.000 EA.
0270	555FE0210014	HANDLE GRIP	1.000 EA.
0280	555SB1210056	OPERATING HANDLE	1.000 EA.
0290	900BX1000042	BOX	1.000 EA.
0300	557-2-01	PARTS LIST	1.000 EA.