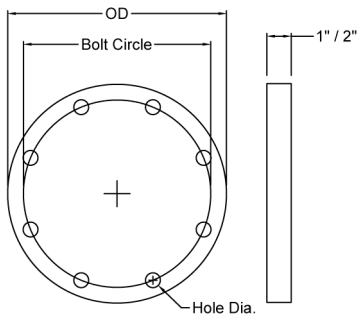


Blind Flanges

IPS/DIPS HDPE Blind Flanges

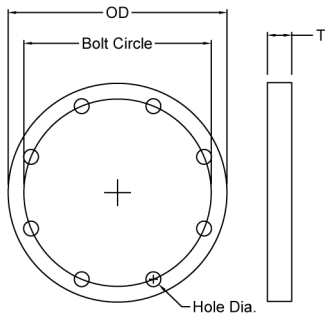


- Commonly used for closure or night-capping of flanged pipes.
- HDPE Blind flanges are not pressure rated
- Metal backup ring required for sealing at moderate pressures

Size [inch]	Part No.	OD [inch]	Bolt Circle [inch]	Hole Dia. [inch]	Holes (ea)	Weight - 1" Thk (lbs)	Weight - 2" Thk (lbs)
2		6.00	4.75	3/4	4	4.00	1
3		7.50	6.00	3/4	4	5.25	1
4		9.00	7.50	3/4	8	6.75	1
6		11.00	9.50	7/8	8	8.63	2
8		13.50	11.75	7/8	8	10.88	2
10		16.00	14.25	1	12	13.25	3
12		19.00	17.00	1	12	16.00	4
14		21.00	18.75	1-1/8	12	17.63	5
16		23.50	21.25	1-1/8	16	20.13	7
18		25.11	22.75	1-1/4	16	21.50	9
20		27.50	25.00	1-1/4	20	23.88	21
22		29.50	27.25	1-3/8	20	25.88	26
24		32.00	29.50	1-3/8	20	28.13	31

*Also available manufactured in PVC, call customer service for information

IPS/DIPS Steel Blind Flanges for Pressure



- AWWA C207 Class D

Size [inch]	Part No.	OD [inch]	T [inch]	Bolt Circle [inch]	Hole Dia. [inch]	# of Holes	WPR [psi]	Weight (lbs)
2		6.00	0.625	4.75	3/4	4	175	5
3		7.50	0.625	6.00	3/4	4	175	8
4		9.00	0.625	7.50	3/4	8	175	12
6		11.00	0.688	9.50	7/8	8	175	18
8		13.50	0.688	11.75	7/8	8	175	27
10		16.00	0.688	14.25	1	12	175	38
12		19.00	0.812	17.00	1	12	175	63
14		21.00	0.938	18.75	1-1/8	12	150	89
16		23.50	1.000	21.25	1-1/8	16	150	118
18		25.11	1.062	22.75	1-1/4	16	150	140
20		27.50	1.125	25.00	1-1/4	20	150	181
22		29.50	1.188	27.25	1-3/8	20	150	213
24		32.00	1.250	29.50	1-3/8	20	150	275
30		38.75	1.375	36.00	1-3/8	28	150	444
36		46.00	1.625	42.75	1-5/8	32	150	735
42		53.00	1.750	49.50	1-5/8	36	150	1085
48		59.50	1.750	56.00	1-5/8	44	150	1369